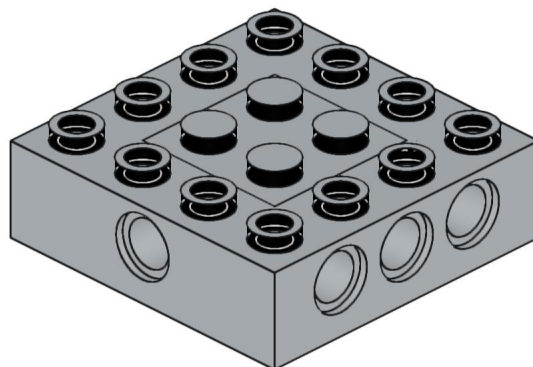
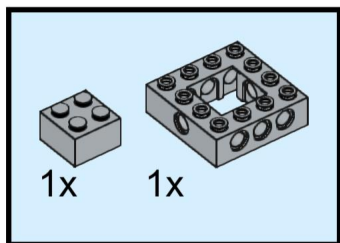
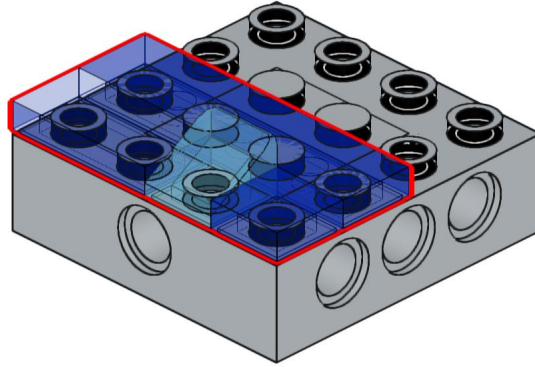
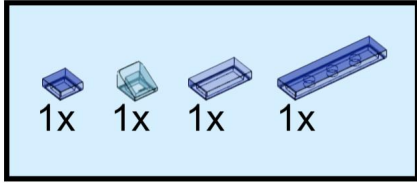


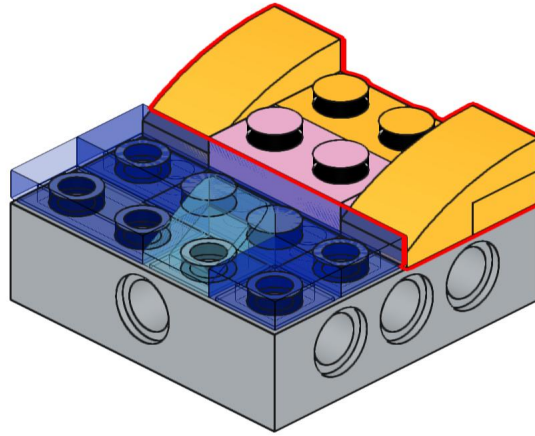
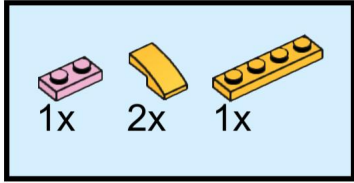
1



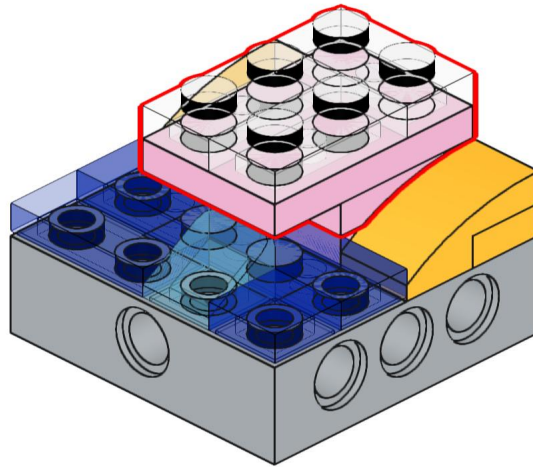
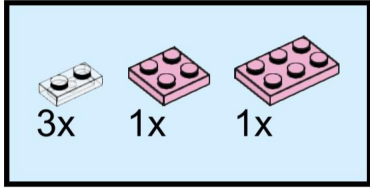
2



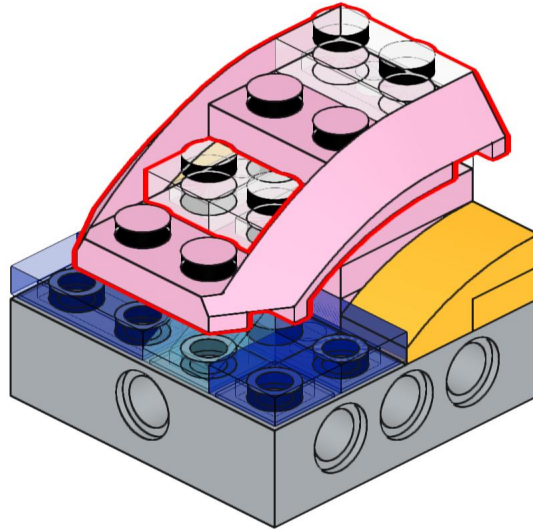
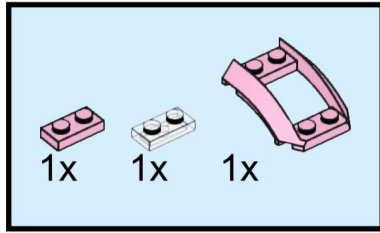
3



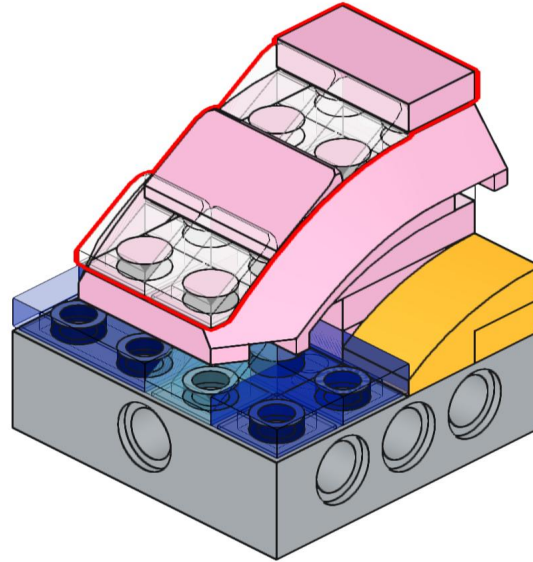
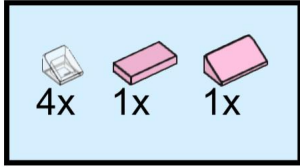
4

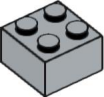


5



6





1x  
3003  
Light Bluish Gray



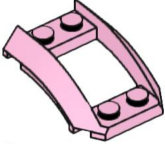
1x  
3021  
Bright Pink




1x  
54200  
Trans-Medium Blue



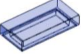
1x  
32324  
Light Bluish Gray



1x  
47755  
Bright Pink



1x  
3070  
Trans-Dark Blue



1x  
3069  
Trans-Dark Blue



2x  
3023  
Bright Pink



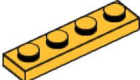
2x  
11477  
Bright Light Orange



1x  
2431  
Trans-Dark Blue



1x  
3069  
Bright Pink



1x  
3710  
Bright Light Orange



1x  
85984  
Bright Pink



4x  
54200  
Trans-Clear



1x  
3022  
Bright Pink



4x  
3023  
Trans-Clear